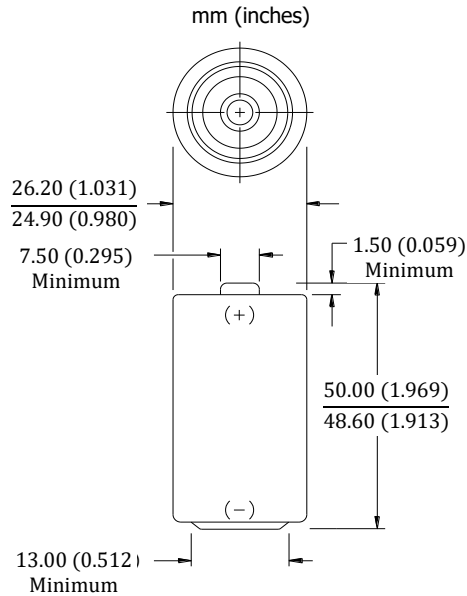


# ENERGIZER E93 (LR14) Alkaline Power

C



## Industry Standard Dimensions

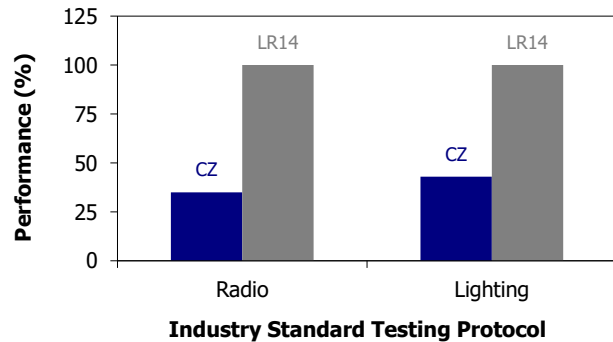


## General Information

<b>Classification:</b>	Alkaline
<b>Chemical System:</b>	Zinc-Manganese Dioxide (Zn/MnO <sub>2</sub> ) No added mercury or cadmium
<b>Designation:</b>	ANSI-14A, IEC-LR14
<b>Nominal Voltage:</b>	1.5 volts
<b>Operating Temp:</b>	-18°C to 55°C (0°F to 130°F)
<b>Typical Weight:</b>	66 grams
<b>Typical Volume:</b>	27 cubic centimeters
<b>Shelf Life:</b>	7 years at 21°C
<b>Terminal:</b>	Flat Contact

## Performance Comparison

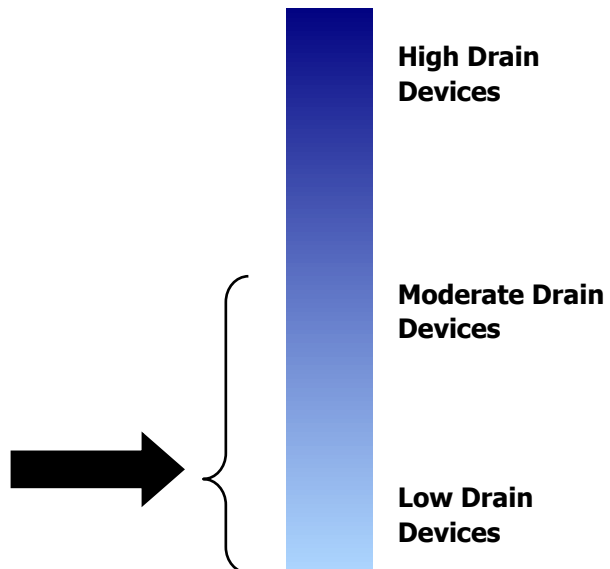
A93 vs. Typical Carbon Zinc (C) at 21°C



## Device Selection Guide:

- Portable Stereo
- Toy
- Lighting
- Radio

## Battery Selection Indicator



## Important Notice

This datasheet contains typical information specific to products manufactured at the time of its publication.  
**Contents herein do not constitute a warranty and are for reference only.**